

MARKETING BULLETIN

Our New Generation of Multideck Chiller VENTO AIR Is Officially On Sell

Your Market Becomes Smart So Fast

- Completely flexible, connectable, plug-in shelf units
- No refrigerant leakage thanks to full integration of all required refrigeration components into the shelf units
- Fast setup thanks to >> Plug & Chill << technology – no substantial installation work required
- Optimized space utilization thanks to the standard footprint
- Total freedom of layout in the store as well as simple repositioning and system expansion – even in existing stores
- Minimal maintenance requirements



OPERATION IN AIR MODE

- The waste heat from the multidecks can easily be used for heating the store
- Minimal installation work
- No additional investments
- No building alterations

FLEXIBLE LOCATION OPTIONS

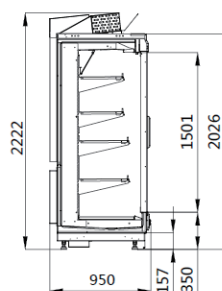
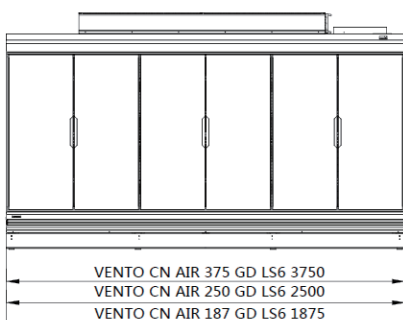
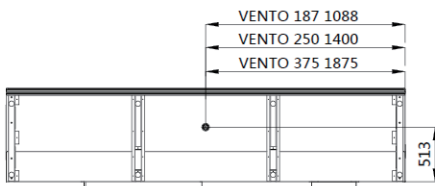
- Stand alone unit
- Line up

VENTO AIR PORTFOLIO

Type	Volume net (L)	Temperature Classification (°C)*	Nominal voltage/frequency (V/Hz)	Nominal Power Consumption (W)	Energy Consumption (kWh/24h)	Physical Dimensions (WxDxH) mm
VENTO AIR						
LS6 375	3050	M2	380/50, 380/60 220/60	2600/3300/ 2900	48/55/56	3750x950x2222
LS6 250	2030	M2	380/50, 380/60 220/60	2200/2600/ 2400	35/42/46	2500x950x2222
LS6 187	1530	M2	380/50, 380/60 220/60	1700/2100/ 2350	30/36/42	1875x950x2222
VENTO AIR GD						
LS6 375 GD	3050	M1/M2	380/50, 380/60 220/60	1880/2100/ 2700	21.3/23.5/25	3750x950x2222
LS6 250 GD	2030	M1/M2	380/50, 380/60 220/60	1480/1600/ 2300	14.9/16/20	2500x950x2222
LS6 187 GD	1530	M1/M2	380/50, 380/60 220/60	1340/1500/ 2200	12.2/13.5/19	1875x950x2222

* M1: -1°C to +5°C (ideal for Fish & Meat)

M2: -1°C to +7°C (ideal for Dairy products)



The VENTO Product Portfolio Consist Of Many Innovative Components For Versatility.

For further technical details and information, please contact your local AHT sales specialist.

AHT Cooling Systems (Changshu) Co., Ltd
Changshu, Jiangsu, P.R. China
Webpage www.ahtchina.com (CHS)
www.aht.at (EN/DE)